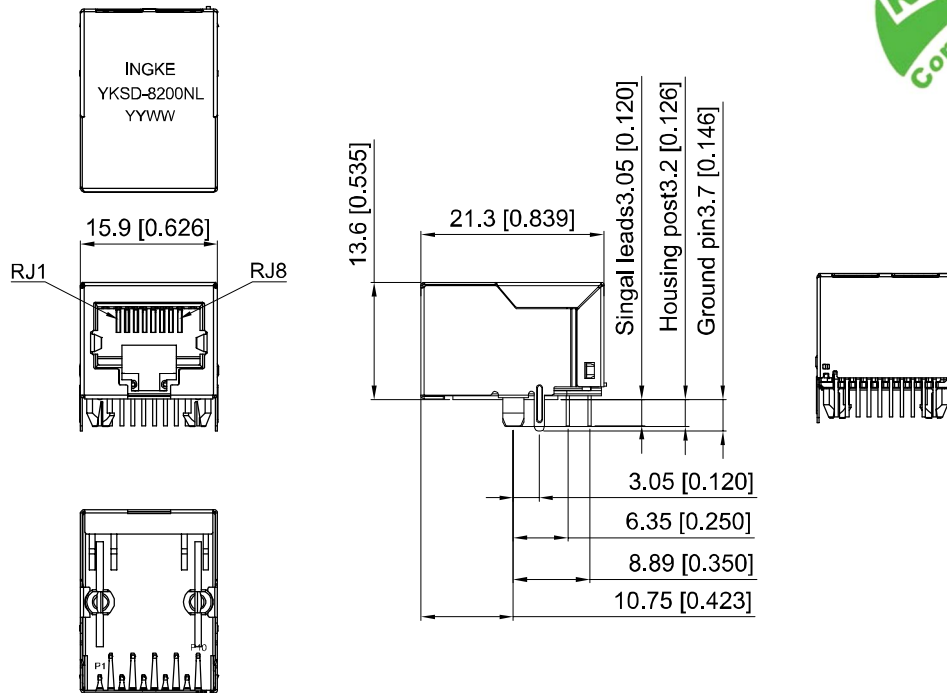
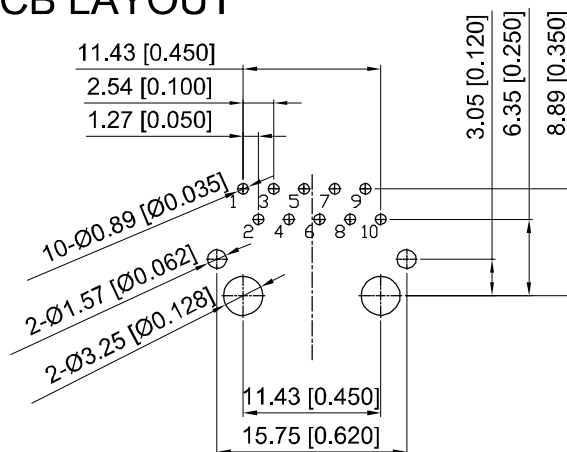


1.MECHANICAL:



- a. Units:mm/inch.
- b. Unless otherwise specified all tolerances are:±0.25[0.010]
- c. Pin length don't include solder point

2.RECOMMENDED PCB LAYOUT



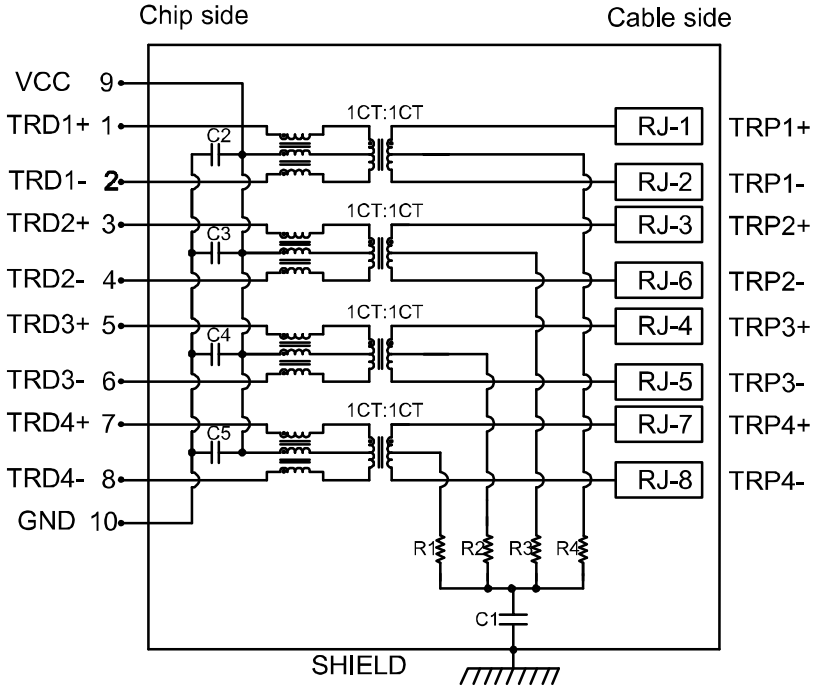
Top View Customer Board (COMP Side)

- a. Units:mm/inch.
- b. Unless otherwise specified all tolerances are:±0.05[0.002]

Materials and Finish:

- 2.1 Housing: PBT,BK, Flammability Rating 94V-0.
- 2.2 Insert Base: PBT,BK, Flammability Rating 94V-0.
- 2.3 Shield: Brass, nickel plating.
- 2.4 Mold Jack Contacts: Phosphor Bronze, 6u" Gold Plated.

3.SCHEMATIC:



Note:
R1-R4=75 OHMS, Resistors.
C1=2KV 1000pF, Capacitor.
C2-C5=100V 100nF, Capacitor.

4. ELECTRICAL SPECIFICATION @ 25 °C

| Item | Specification | Test Condition |
|---|-----------------------------|-------------------------------|
| Application | 2.5G BASE-T | |
| Inductance | 160µH Min | 100KHz 0.1V @ 0°C to +70°C |
| Leakage Inductance | 0.3µH Max | 100KHz 0.1V |
| DC Resistance | 1.5Ω Max | |
| Turns Ratio | 1CT:1CT (All Four Pairs) | 100KHz 0.1V |
| Insertion Loss | -0.5 dB Min | 1-50 MHz |
| | -1.0 dB Min | 50-125 MHz |
| Return Loss | -20dB Max | 1-40 MHz |
| | -20+15log(f/40)dB Max | 40-200 MHz |
| Cross Talk | -30dB Max | 25-125 MHz |
| Isolation Hi-pot: (Complies with IEEE 802.3 isolation requirements) | 1mA Max | 2250VDC |
| Operating Temperature | 0°C to +70°C | |