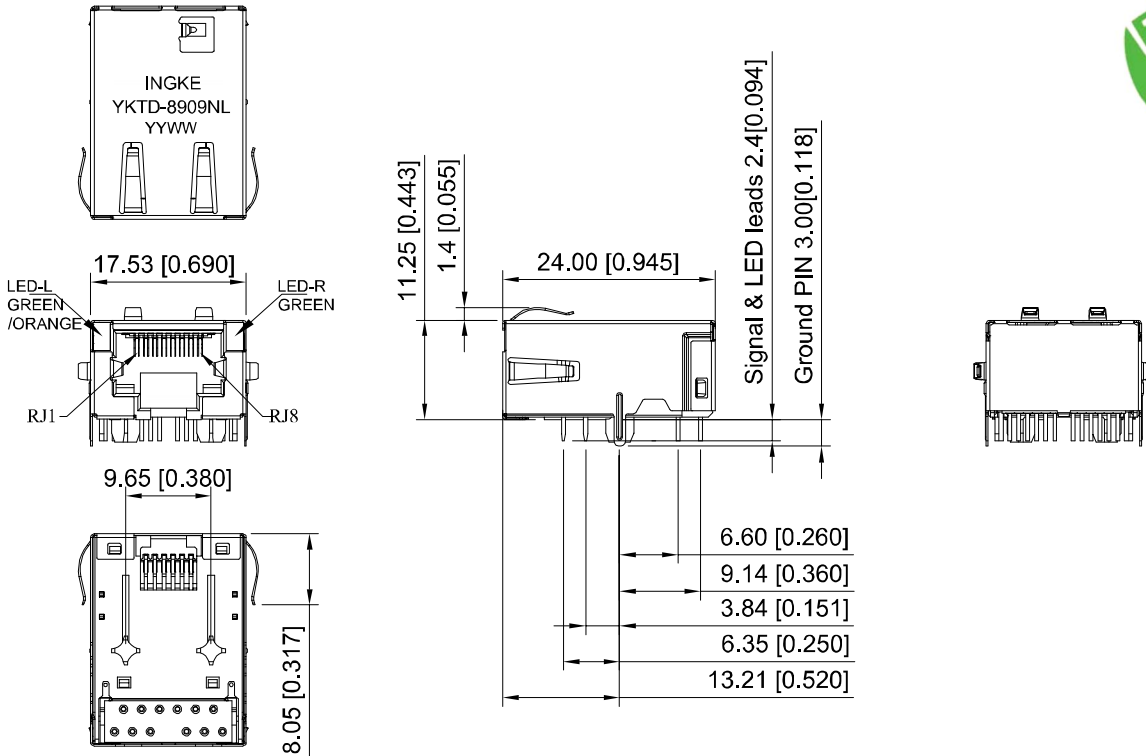
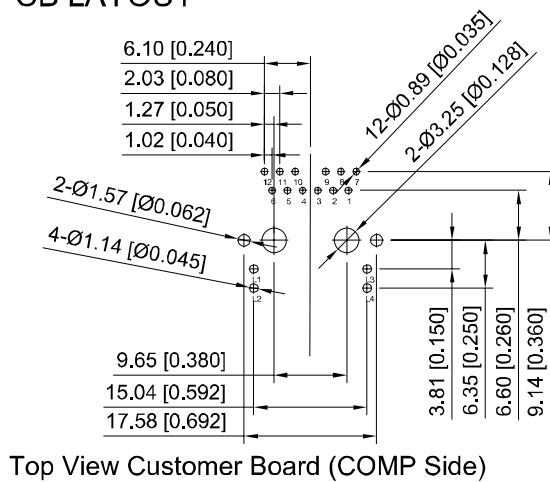


1. MECHANICAL:



- a. UNITS:mm/inch.
- b. UNLESS OTHERWISE SPECIFIDE ALL TOLERANCES ARE:±0.25MM INCHES
- c. PIN LENGTH DON'T INCLUDE SOLDER POINT

2. RECOMMENDED PCB LAYOUT



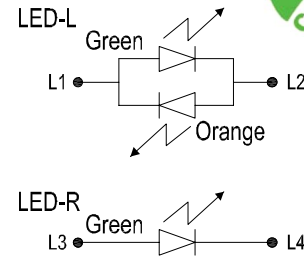
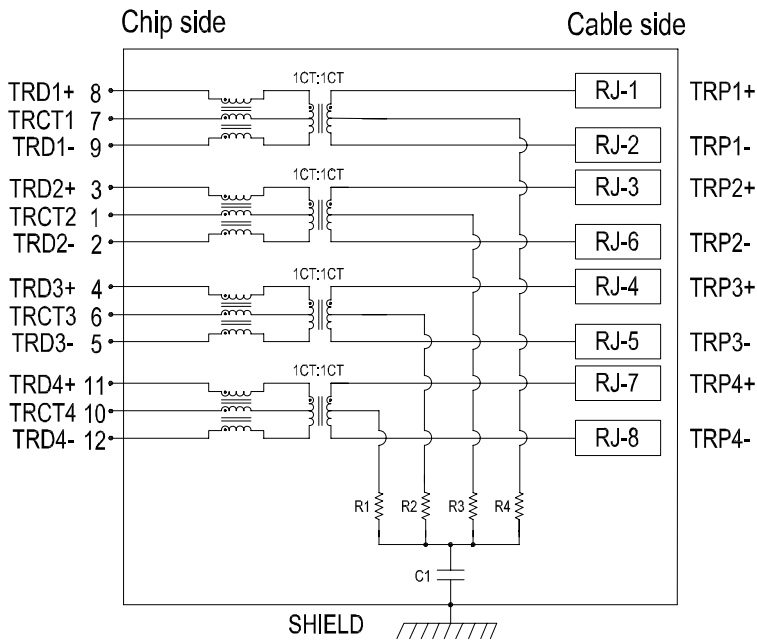
- a. UNITS:mm/inch.
- b. UNLESS OTHERWISE SPECIFIDE ALL TOLERANCES ARE:±0.05MM INCHES

Materials and Finish:

- 2.1 Housing: LCP,BK, Flammability Rating 94V-O.
- 2.2 Insert Base: LCP,BK, Flammability Rating 94V-O.
- 2.3 Shell: Brass, nickel plating.
- 2.4 Mold Jack Contacts: Phosphor Bronze, Gold Flash.
- 2.5 LED: Diffused Epoxy Lens, 0.5x0.5mm Carbon Steel wireframe leads.



3.SCHEMATIC:



Note:
 R1-R4=75 OHMS, Resistors.
 C1=2KV 1000pF, Capacitor.
 LED is with constant current at approx 20mA.
 LED color:
 Dominant wavelength(λ D):
 Green=565nm TYP. at IF=20mA;
 forward voltage(VF): Green 2.2V TYP, at IF=20mA;
 Dominant wavelength(λ D):
 Orange=605nm TYP. at IF=20mA;
 forward voltage(VF): Orange 2.1V TYP, at IF=20mA;

4.ELECTRICAL SPECIFICATION @ 25 °C

Item	Specification	Test Condition
Application	10G BASE-T	
Inductance	160 μ H Min	100KHz 0.1V Bias @ 0°C to +70°C
Leakage Inductance	0.3 μ H Max	100KHz 0.1V
DC Resistance	1.5 Ω Max	
Turns Ratio	1CT:1CT(All Four Pairs)	100KHz 0.1V
Insertion Loss	-0.8 dB Min	1-20 MHz
	-1.0 dB Min	20.1-50 MHz
	-1.2 dB Min	50.1-200 MHz
	-2.0 dB Min	200.1-400 MHz
	-3.0 dB Min	400.1-500 MHz
Return Loss	-22dB Max	1-100 MHz
	-22+18.27log(f/100)dB Max	100-500 MHz
Cross Talk	-28dB Max	1-100 MHz
	-19dB Max	100-500 MHz
Isolation Hi-pot: (Complies with IEEE 802.3 isolation requirements)	1mA Max	2250VDC
Operating Temperature	0°C to +70°C	